

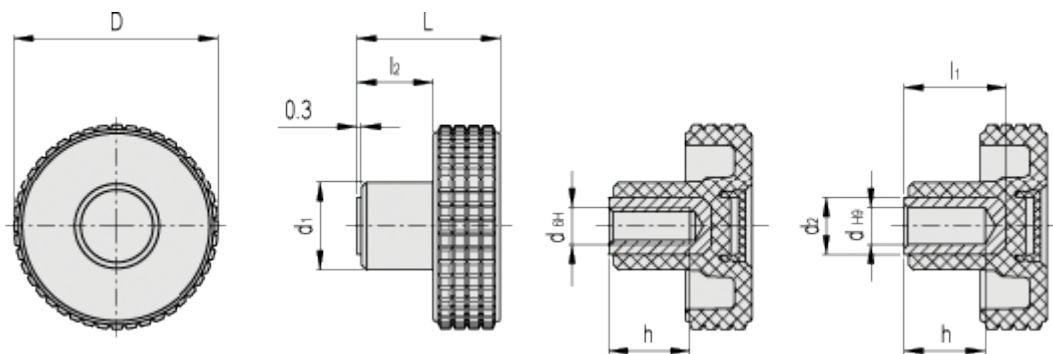
Data Sheet



Article number: 23020343263

Description: E+G Fingergreb MBT.40-B-M8-C3, grey centre cap

Measures



D	= 39.5	l2	= 12.5
d1	= 17		
d2	= -		
dH6	= M8		
dH9	= -		
h	= 13		
L	= 26.5		
l1	= -		